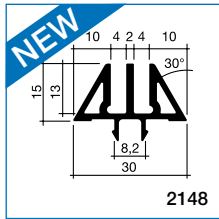
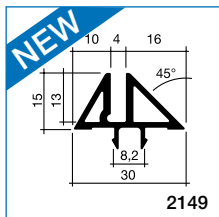




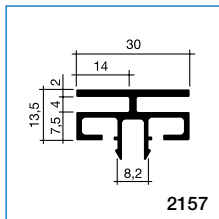
New Possibilities for SYMA Textile DESIGNING AREAS WITH TEXTILES



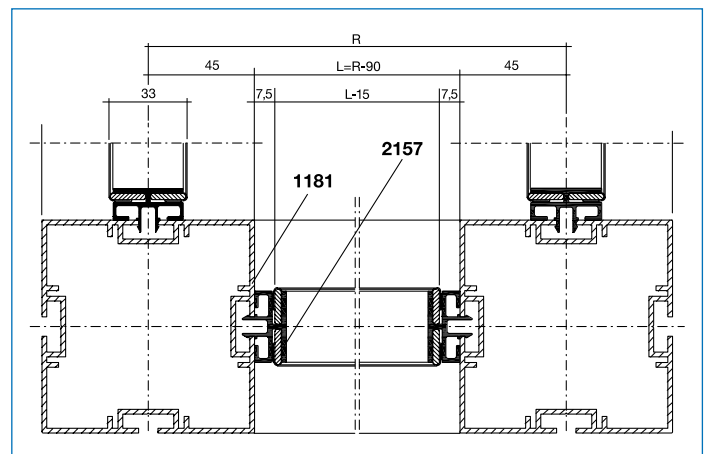
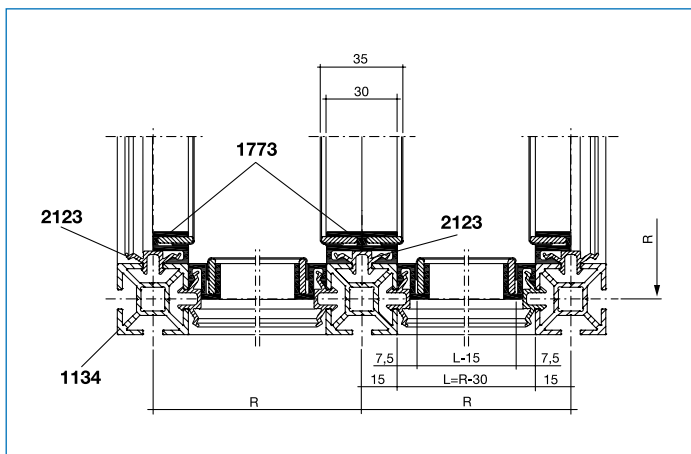
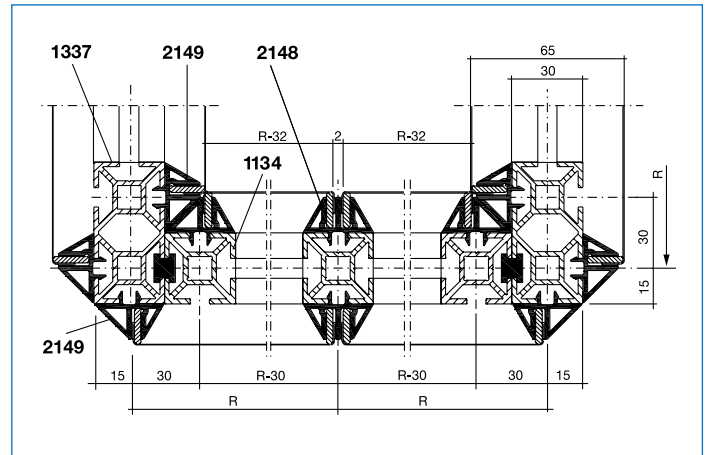
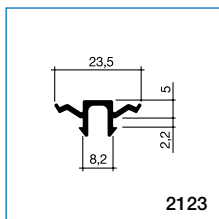
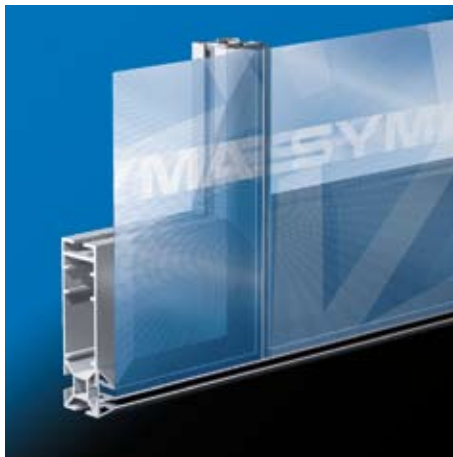
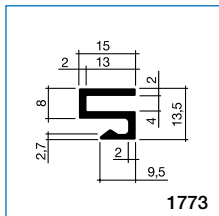
The use of textiles to design an area is a clear trend in exhibit construction, and there are good reasons for this. Textiles are light and add transparency to the exhibit area. They are extraordinarily easy to transport and can be printed with logos, product images or other motifs in line with the respective corporate identity.



Now it is possible to even better integrate textile areas visually into the perfect exhibit concept. With the newly developed plastic profiles, which make it possible to join one textile flush to another, the underlying construction disappears completely behind the textile surface.

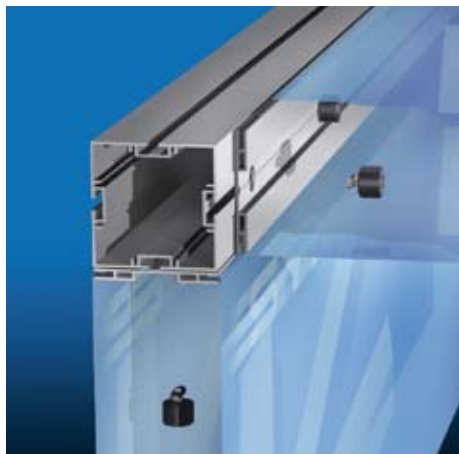


The principle of the new plastic profiles, 2148 and 2149, is very simple: The profiles are clipped onto the outside, in the 8 x 8 mm grooves of the SYMA profiles. They accept a welt, which is a part of each canvas. It allows – similar to a pre-made façade – unbroken areas to be designed which cover the entire wall. This new solution can be made on the exterior and interior sides of the stand around corners.



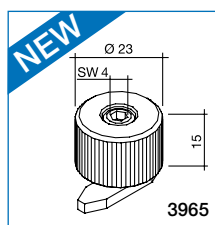
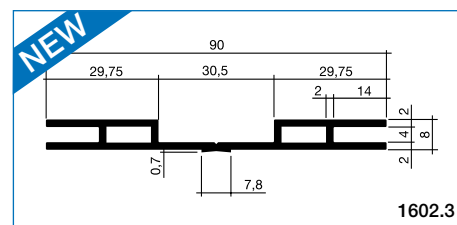
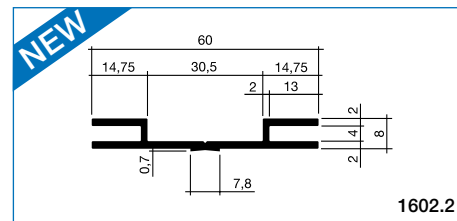
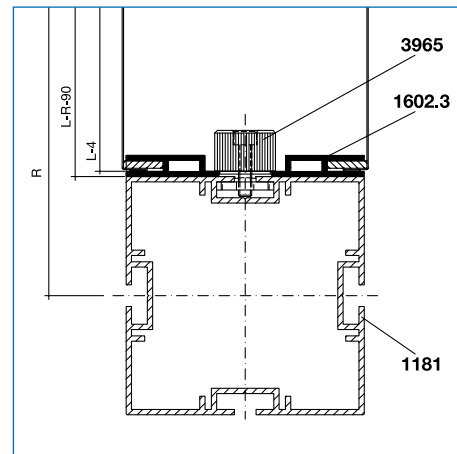
SYMA Textile

EVEN MORE NEW POSSIBILITIES



With the new aluminium profiles 1602.2 and 1602.3 for MOLTO 90 and 60, receptacles for textiles can be subsequently added to an existing MOLTO construction in a quick and simple way. Here SYMA aluminium profiles are fastened to the existing MOLTO profiles using the profile connector 3965. The special screw was designed to work simply without any other tools. Naturally the profiles can also be supplied with mitre cuts so that textiles can be smoothly attached around them and thereby create a flush exterior surface.

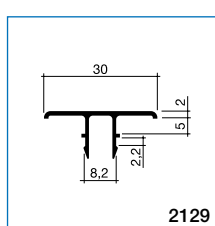
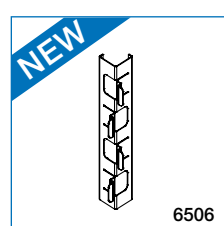
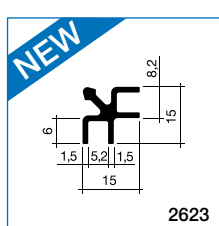
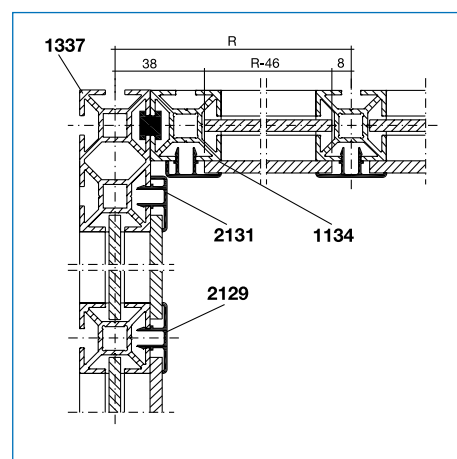
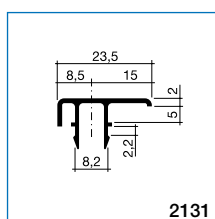
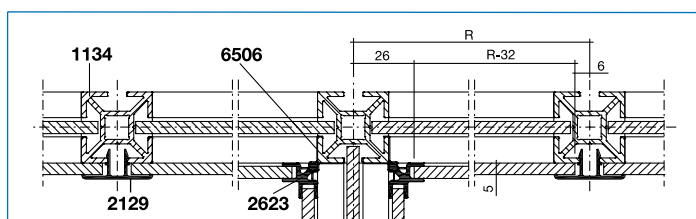
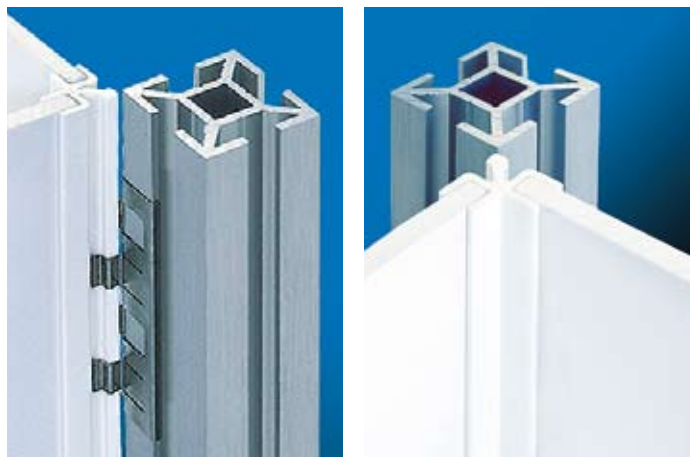
Contemporary stand design, with the simplest assembly technology: with SYMA-MOLTO and the new profiles for textile use, this doesn't require magic, but can be realized in a quick and effective way. Should you plan to use your MOLTO materials the next time once without textiles, simply detach the aluminium profiles 1602.2 or 1602.3 from the MOLTO profiles and store them away until the next use.



Pre-clipped Walls

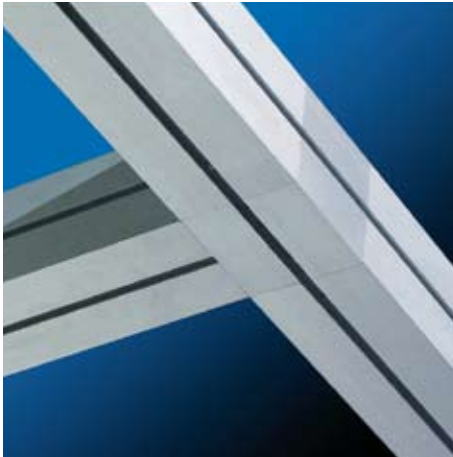
INNER CORNER SOLUTION

Now there is a new solution for realizing inner corners for pre-clipped walls with 5 mm thick wall panels. The new corner profile 2623 is clipped on the corner of the 1134 upright profile using the spring-clamp 6506. The profile is held by the spring-clamp which one fastens at certain distributed points at the necessary height. Now one doesn't need the triple profile which was previously necessary. To attach the panels to the area one uses the clip profile 2129 as formerly. This way pre-clipped walls throughout can be very easily made which fully cover the underlying construction.



Cross Connector MOLTO 90

CONNECTION BY DESIGN

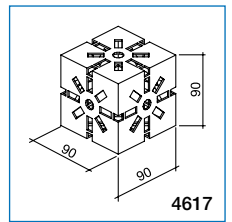
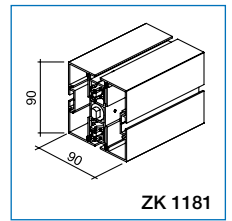
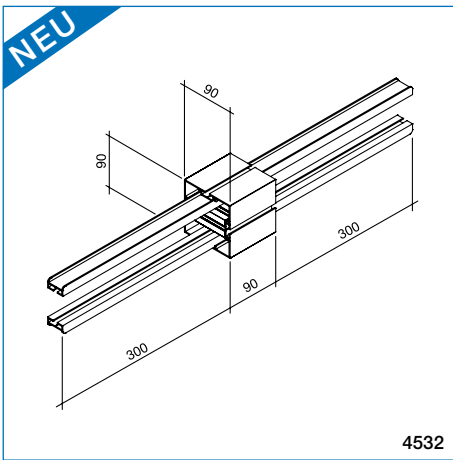
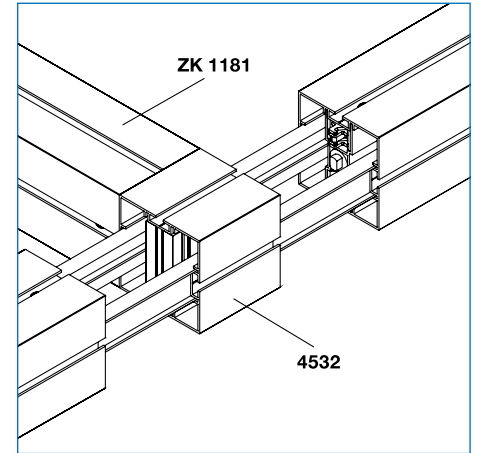


Clear lines are the goal of every exhibit builder who is striving for a modern, generous design. A visual alternative, in the form of the cross connector 4532, has now been added to the familiar MOLTO cubes.

People looking for discreet lines in the context of universal design concepts will appreciate our newest development. As alternative to the MOLTO cube, SYMA has developed a cross connector which works without additional visible function elements. All that one can see is the uninterrupted line of the groove.

In other words the connecting function of the cube has been moved to the inside. This way the cross connector can be used for the same purpose as the proven MOLTO cube. The connection element has six outlets for the profile connections, and section profiles of the type ZK 1181 can be locked in all outlets.

The cross connector has the same grid dimensions as the cube, which means that the cube and the cross connector are interchangeable 1:1. This way the exhibit builder can add even more calmness to the lines of the bearing construction using the cross connector, without having to make compromises in functionality. This applies except for the following cases: Those who would like to possibly realize connections of 45° or 135° would be advised to stay with the familiar 4617 cube. Constructions with structural requirements should also be realized using the cubes.

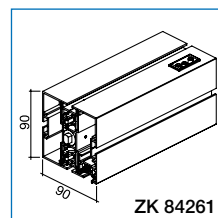
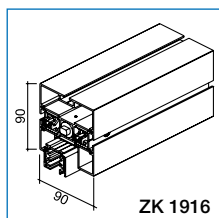
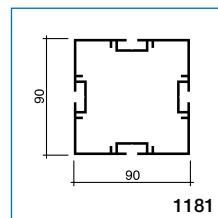
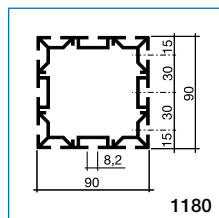
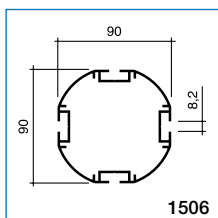
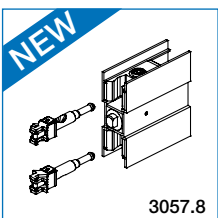
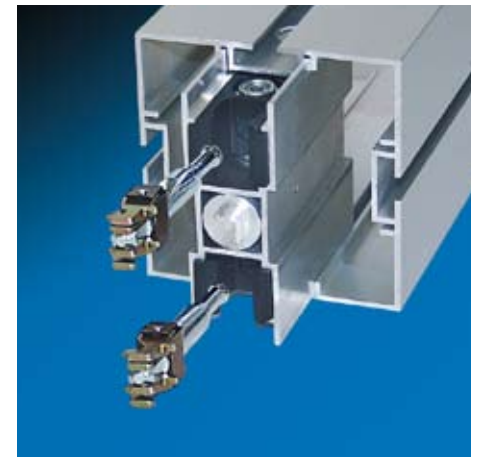


«Compact» Lock for MOLTO 90

COMPACT, EASY AND ROBUST

Heavy demands are made on the locking technology of exhibit construction systems. The locks should be easy to use. They must be able to withstand mechanical strain, offer a long service life even when subjected to rough handling, and reliably bear the load for which they were developed. SYMA's expertise in this specialized area of connection technology is based on decades of experience. The most recent result of this experience is the new «Compact» lock for the MOLTO 90 system. The new Compact locking technology can be effortlessly applied to MOLTO profiles. One slides the insert profile with the insert cores together into the MOLTO profile. Then one inserts the latches which snap into the insert core in the end position. By inserting the latches the clamp sleeve is pressed into the

MOLTO profile hole and thus hinders the Compact lock from slipping out. The system is the new standard for the MOLTO profiles of the types 1180, 1181, 1506, 1916 and ZK 84261. Dismantling of the new latch lock is also very quick and can be done without much exertion.



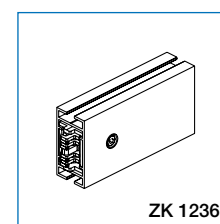
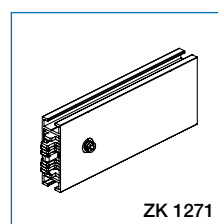
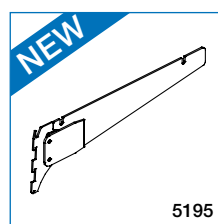
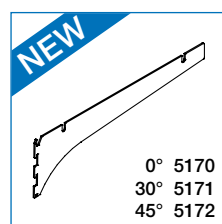
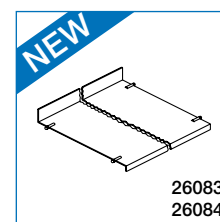
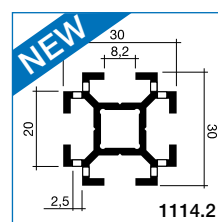
SYMA-NOLO 30 THE STANDARD



The SYMA NOLO system is often used to build movable walls, dividers and exhibit stands. Up until now this system has been based on a 42 x 42 mm upright profile. In order to counteract these rather untypical SYMA measurements, the system was completely revised and a 30 x 30 mm upright profile was developed which has considerable advantages. The advantages of the new 1114.2 profile are plain to see: The exhibit builder or shop furnisher can now use profile sections and panels with the classic 970 mm clearance measurements in order to realize system constructions in the 1000 mm standard grid. In addition to that SYMA NOLO is compatible with the SYMA systems 20 and 30. This means that the widest range of section heights are available, which can also be used in different combinations. In addition a new shelf board bracket has also been developed. It is extremely easy to use and can be staggered in height using the upright profiles which have double slots on each of its sides.

This means that from one section, two shelves going in opposite directions can be built at different heights. This is an important advantage which many users will appreciate.

The shelf brackets are available in models with 0°, 30°, 45° and as a model with an adjustable angle. As previously the profiles can be used with wall elements of up to 6 mm thickness. And naturally the system is «downwardly compatible».



SYMA Training TRAINING BY DESIGN



Different systems with each a wide range of components and virtually endless combinations: building with SYMA systems requires training. In other words, building itself is easy. But those who would like to take advantage of all of the possibilities which the systems and one's own creativity can offer, should first understand the SYMA world of systems very well.

That is why there is SYMA training. These are training sessions which SYMA tailors individually to the needs of the customer, and which take place as desired in Hilden, Kirchberg/Switzerland or at the customer location. Experienced trainers and product specialists present new SYMA products and demonstrate what is really possible with the new components and with SYMA systems on the whole: an offer which in particular facilitates efficient and creative management of projects in exhibit construction.



Modular Solutions

Mulberry House
42 High Street / Tilbrook
Cambridgeshire P E28 OJP / UK
Phone +44 1480 / 861 777
Fax +44 1480 / 861 999
E-mail freddie_symauk@btconnect.com

**New Possibilities for SYMA Textile
Designing Areas with Textiles**

**1 ... Even more possibilities
Inner corner for pre-clipped walls**

**2 Molto 90 – Cross connectors
Molto 90 – «Compact» locks**

**3 SYMA NOLO 30 - NEW
SYMA Training**